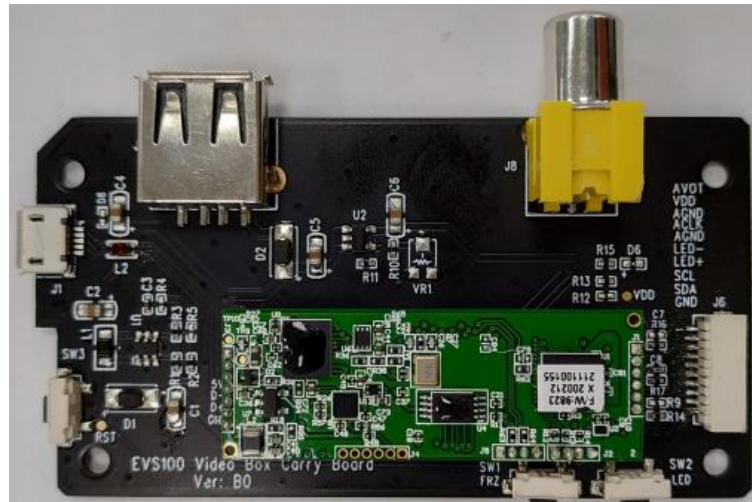




MiiS Advanced Class Imaging Signal Processing Unit Product Specification



PN: 77.5002-020001.A

ISP 100OE Support OmniVision Analog Interface Imaging Sensor

The ISP 100OE offers a cost-effective option for creating a camera control unit system platform .It support OmniVision OVM6946, OCHTA10 Analog interface CMOS sensor and LED string.

Output micro USB connector with USB2.0 UVC format.

The key value are:

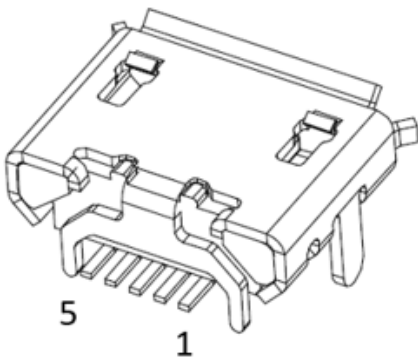
- Cost effective
- Optimized, industry-leading feature set and image quality
- Customer resource optimization allows customer to focus on differentiated post-processing algorithms
- Compact form factor fits into small devices
- Low power: USB powered



General Specifications

Table 1 J1 Micro USB Connector Pin define Specifications

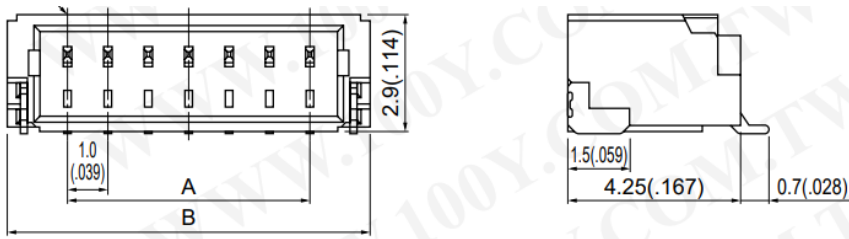
Pin	Name	Remark
1	+5VDC	Power in
2	Data -	
3	Data +	
4	ID	GND
5	GND	Power



Type:RUSB-5BF023

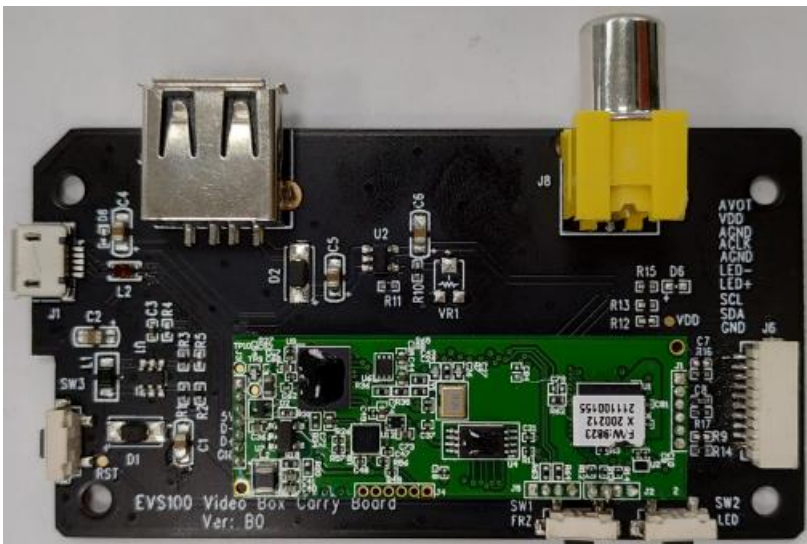
Table 2 J6 Sensor Connector Pin define Specifications

Pin	Name	Remark
1	AVOT	image out
2	VDD(3.3VDC)	Power
3	AGND	Power
4	ACLK	4MHz
5	AGND	Power
6	LED -	LED out
7	LED +	LED out
8	SCL	3.3V level
9	SDA	3.3V level
10	GND	Power



Pitch 1.0 mm 10P Board to Wire Connector
Type: JST SM10B-SRSS-TB

Mechanical Drawings



Dimensions 80 x 42.5mm, t = 1.0mm

1. Dimensions are in millimeters.
2. Tolerances unless mentioned are ± 0.1 mm